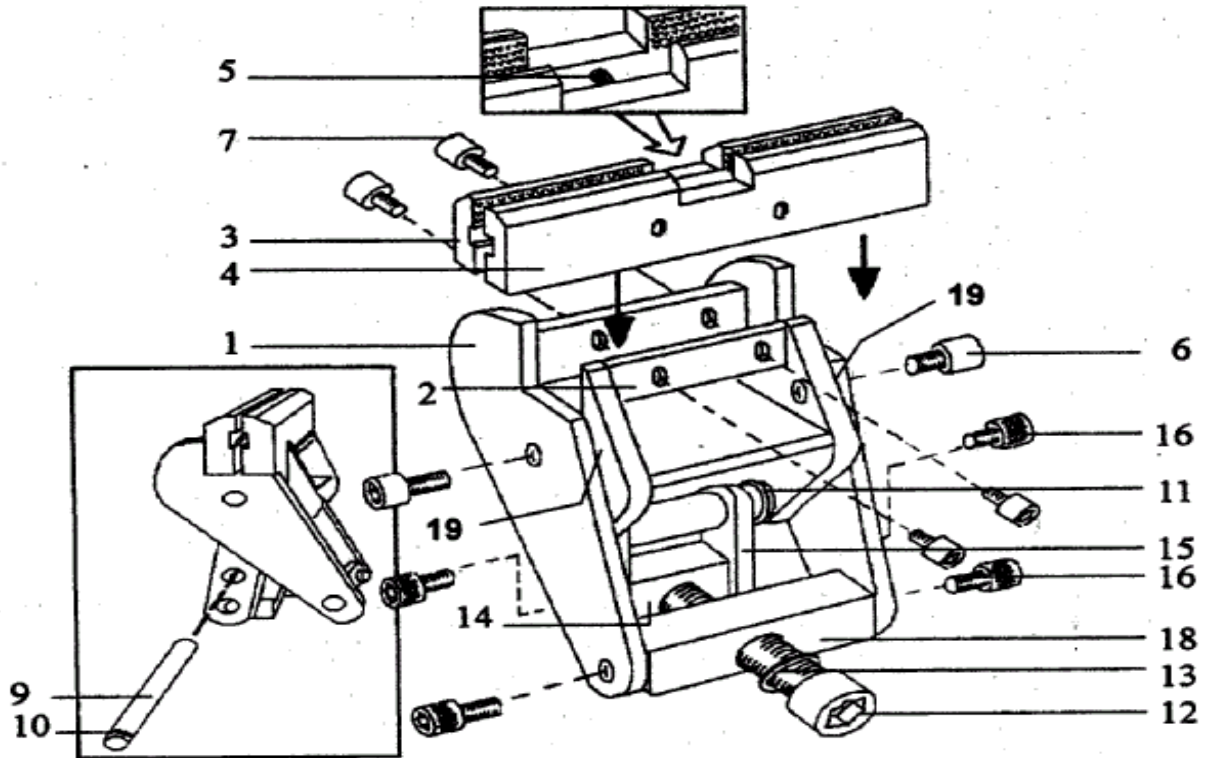




Date: 12-08-2004

**C-10 Quick lock chassis clamp**



Position	Quantity	Article number	Discription
----------	----------	----------------	-------------

C-10			Quick lock chassis clamp
1	1	C-1010	Chassis main holder frame
2	1	C-1011	Chassis holder frame support
3	1	C-1020	Serrated plate
4	1	C-1030	Plain plate
5	1	S-4204	Spring
6	2	S-1059	Bolt
7	4	S-1047	Locking bolt
9	1	C-1013	Shaft
10	2	S-4221	Locking ring
11	1	S-3220	Spring
12	1	S-1103	Locking bolt
13	1	S-4015	Washer
14	1	C-1014	Nut
15	1	C-1015	Chassis main holder frame
16	4	S-1102	Bolt
18	1	C-1017	Sleeve spacer
19	2	S-4021	Washer

